



**COMMONWEALTH OF KENTUCKY
TRANSPORTATION CABINET**
Frankfort, Kentucky 40622
www.transportation.ky.gov/

Matthew G. Bevin
Governor

Greg Thomas
Secretary

May 24, 2016

CALL NO. 114
CONTRACT ID NO. 161030
ADDENDUM # 2

Subject: Franklin County, BC62 037 FFT AIRPORT
Letting May 27, 2016

- (1) Revised - Plan Sheets - E5.16 & G1.02
- (2) Revised - Bid Items - Pages 303-304 of 304

Proposal revisions are available at <http://transportation.ky.gov/Construction-Procurement/>.

Plan revisions are available at <http://www.lynnimaging.com/kytransportation/>.

If you have any questions, please contact us at 502-564-3500.

Sincerely,

A handwritten signature in cursive script that reads "Rachel Mills".

Rachel Mills, P.E.
Director
Division of Construction Procurement

RM:ks
Enclosures



An Equal Opportunity Employer M/F/D



BY	RG
DESCRIPTION	SIGN PANEL CLARIFICATION
DATE	05/23/16
REV	△

CAPITAL CITY AIRPORT
FRANKFORT, KENTUCKY
AIRFIELD ELECTRICAL REHABILITATION

NEW GUIDANCE SIGN INDEX

JOB NO.: 15151130
DATE: MARCH 2016
DESIGNED BY: RGP
DRAWN BY: MDB

DRAWING NUMBER
E5.16

NEW GUIDANCE SIGN INDEX CONT.

NO.	SIGN	SIDE 1				SIDE 2				SIZE	STYLE	CLASS	MODE	CIRCUIT	NOTES
		DESC.	1	2	3	4	1	2	3						
01	LEGEND	A6	→			*				1	2	2	2	RUNWAY	#1, 2, 4
	TYPE	Y													
02	LEGEND	*	A6	25		≡≡≡	≡≡≡	A6		1	2	2	2	TAXIWAY	#1, 2, 7 △
	TYPE		L	R		Y	Y	L							
03	LEGEND	<A5				*				1	2	2	2	RUNWAY	#1, 2, 5
	TYPE	Y													
04	LEGEND	A5	→			*				1	2	2	2	RUNWAY	#1, 2, 4
	TYPE	Y													
05	LEGEND	A5	7-	25		≡≡≡	≡≡≡	A5		1	2	2	2	TAXIWAY	#1, 2, 7 △
	TYPE	L	R	R		Y	Y	L							
06	LEGEND	<A4				*				1	2	2	2	RUNWAY	#1, 2, 5
	TYPE	Y													
07	LEGEND	A4	→			*				1	2	2	2	RUNWAY	#1, 2, 4
	TYPE	Y													
08	LEGEND	A4	7-	25		≡≡≡	≡≡≡	A4		1	2	2	2	TAXIWAY	#1, 2, 7 △
	TYPE	L	R	R		Y	Y	L							
09	LEGEND	FBO	→			<		FBO		1	2	2	2	TAXIWAY	#1, 2, 4, 5
	TYPE	Y	Y			Y	Y								
10	LEGEND	<A3				*				1	2	2	2	RUNWAY	#1, 2, 5
	TYPE	Y													
11	LEGEND	A3	→			*				1	2	2	2	RUNWAY	#1, 2, 4
	TYPE	Y													
12	LEGEND	A3	7-	25		≡≡≡	≡≡≡	A3		1	2	2	2	TAXIWAY	#1, 2, 7 △
	TYPE	L	R	R		Y	Y	L							
13	LEGEND	<A2				*				1	2	2	2	RUNWAY	#1, 2, 5
	TYPE	Y													
14	LEGEND	A2	→			*				1	2	2	2	RUNWAY	#1, 2, 4
	TYPE	Y													
15	LEGEND	A2	7-	25		≡≡≡	≡≡≡	A2		1	2	2	2	TAXIWAY	#1, 2, 7 △
	TYPE	L	R	R		Y	Y	L							
16	LEGEND	A				*				1	2	2	2	TAXIWAY	#1, 2
	TYPE	L													

LEGEND:

- L L-858L LOCATION
- Y L-858Y DIRECTION / DESTINATION / BOUNDARY
- R L-858R MANDATORY INSTRUCTION
- B L-858B DISTANCE REMAINING

INDEX NOTES:

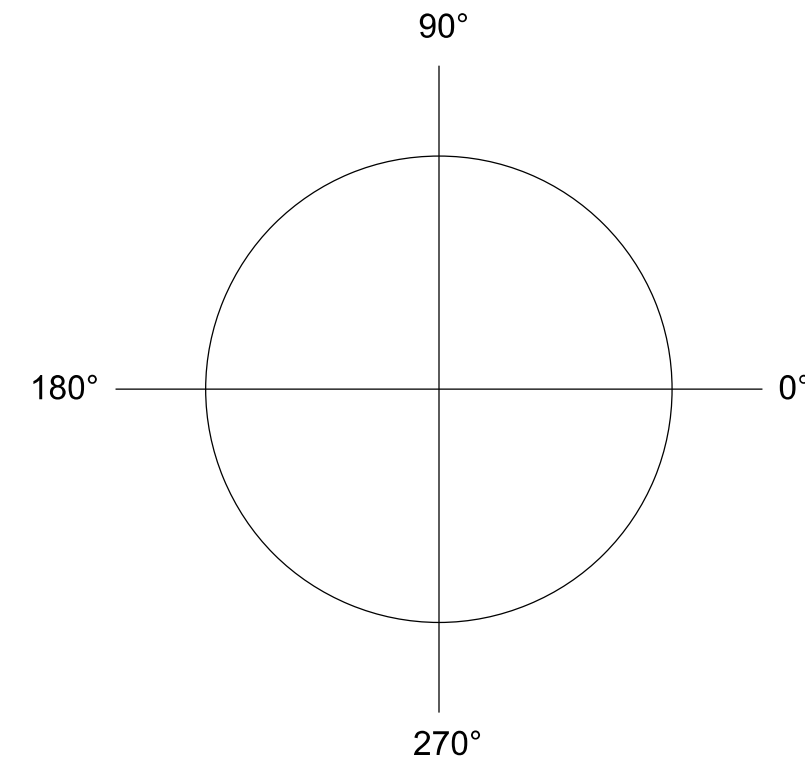
1. THIS INDEX SHOWS THE ANTICIPATED SIGN MODULES REQUIRED FOR THE CHARACTERS AND MESSAGE INDICATED.
2. THE CONTRACTOR SHALL SUBMIT SUBMITTALS/SHOP DRAWINGS FOR ALL SIGNS THAT FULLY COMPLY WITH THE CONSTRUCTION REQUIREMENTS LISTED IN AC 150/5345-44 (LATEST EDITION).
3. MANDATORY SIGNS: PERPENDICULAR DISTANCE FROM DEFINED TAXIWAY EDGE TO NEAR SIDE OF SIGN SHALL BE 20 FEET FOR SIZE 1 SIGNS.
4. ARROW ANGLE IS 0°
5. ARROW ANGLE IS 180°
6. RUNWAY DISTANCE REMAINING SIGNS: PERPENDICULAR DISTANCE FROM DEFINED TAXIWAY EDGE TO NEAR SIDE OF SIGN SHALL BE 50 FEET FOR SIZE 4 SIGNS. (LOCATION FOR SIGNS ON PLANS ARE NOT SHOWN TO SCALE. COORDINATES FOR SIGNS CAN BE SEEN ON SHEET E5.13 DETAIL 2.)

7. REPLACE THE TWO EXISTING TAXIWAY LOCATION PANELS, ON THIS SIGN, WITH NEW TAXIWAY DESIGNATION. EXISTING SIGN IS ADB SR13 LED L-858 GUIDANCE SIGN. THIS ITEM SHALL BE PAID FOR AS AN ALLOWANCE UNDER ITEM SS-310-5.10, SIZE 1, 1-MOD SIGN PANEL REPLACEMENT.
- * SIGN PANEL SHALL BE BLANK.

NEW GUIDANCE SIGN INDEX



SCALE: NONE



NO.	SIGN	SIDE 1				SIDE 2				SIZE	STYLE	CLASS	MODE	CIRCUIT	NOTES
		DESC.	1	2	3	4	1	2	3						
17	LEGEND	A1	7	*		≡≡≡	≡≡≡	A1		1	2	2	2	TAXIWAY	#1, 2, 7 △
	TYPE	L	R			Y	Y	L							
18	LEGEND	<A1				*				1	2	2	2	RUNWAY	#1, 2, 5
	TYPE	Y													
19	LEGEND	A7	→			*				1	2	2	2	TAXIWAY	#1, 2, 4
	TYPE	Y													
20	LEGEND	<A	→			*	*			1	2	2	2	TAXIWAY	#1, 2, 4, 5
	TYPE	Y													
21	LEGEND	*				<A7				1	2	2	2	TAXIWAY	#1, 2, 4
	TYPE					Y									
22	LEGEND	<A	→			*	*			1	2	2	2	TAXIWAY	#1, 2, 4, 5
	TYPE	Y													
23	LEGEND	A8	→			<A8				1	2	2	2	TAXIWAY	#1, 2, 4, 5
	TYPE	Y				Y									
24	LEGEND	<A	→			*	*			1	2	2	2	TAXIWAY	#1, 2, 4, 5
	TYPE	Y													
25	LEGEND	*	*			<		FBO		1	2	2	2	TAXIWAY	#1, 2, 5
	TYPE					Y	Y								
26	LEGEND	<A	→			*	*			1	2	2	2	TAXIWAY	#1, 2, 4, 5
	TYPE	Y													
27	LEGEND	A9	→			<A9				1	2	2	2	TAXIWAY	#1, 2, 4, 5
	TYPE	Y				Y									
28	LEGEND	1				4				4	2	2	2	RUNWAY	#1, 2, 6
	TYPE	B				B									
29	LEGEND	2				3				4	2	2	2	RUNWAY	#1, 2, 6
	TYPE	B				B									
30	LEGEND	3				2				4	2	2	2	RUNWAY	#1, 2, 6
	TYPE	B				B									
31	LEGEND	4				1				4	2	2	2	RUNWAY	#1, 2, 6
	TYPE	B				B									



SUMMARY OF QUANTITIES						
ITEM NO.	SPEC. NO.	KYTC BID ITEM	DESCRIPTION	UNIT	ESTIMATED QUANTITY	INSTALLED QUANTITY
1	SS-110-3.1	02598	FABRIC-GEOTEXTILE TYPE III	SY	225	
2	SS-110-3.2	00078	CRUSHED AGGREGATE SIZE NO 2	TON	62	
3	SS-110-3.3	00071	CRUSHED AGGREGATE SIZE NO 57	TON	20	
4	SS-110-3.4	02701	TEMP SILT FENCE	LF	250	
5	SS-110-3.5	40031	SILT TRAP TYPE C	EA	7	
6	SS-110-3.6	05985	SEEDING AND PROTECTION	SY	4,820	
7	SS-110-3.7	40032	EROSION CONTROL BLANKET	SY	4,820	
8	SS-120-3.1	40000	SITE PREPARATION	LS	1	
9	SS-120-3.2	40145	RUNWAY CLOSURE MARKERS	EA	2	
10	SS-120-3.3	40146	LOW PROFILE BARRICADE	EA	74	
11	SS-120-3.4	02569	DEMOBILIZATION	LS	1	
12	SS-300-5.1	40003	LOCKOUT-TAGOUT AND CC REGULATOR CAL PRO	LS	1	
13	SS-300-5.2	40147	80KW GEN/AUTO TRANSF SWITCH SYS	LS	1	
14	SS-300-5.3	40148	1-PH PORT GEN PANL/AUTO TRANSF SWITCH SYS	LS	1	
15	SS-300-5.4	40149	3-PH PORT GEN PANL/AUTO TRANSF SWITCH SYS	LS	1	
16	SS-301-5.1	40004	EX STK MTD EDGE LIGHT-REMOVED	EA	310	
17	SS-301-5.2	40006	EX BASE MTD SIGN-REMOVED	EA	35	
18	SS-301-5.3	40007	EX REIL SYS L-849-REMOVED	EA	2	
19	SS-301-5.4	40150	EX L-880 PAPI SYS-REMOVED	EA	2	
20	SS-305-5.1	40151	DIRECTIONAL BORE (1-W/4"C) PE CONDUIT	LF	600	
21	SS-310-5.1	40137	BASE MTD RUNWAY EDGE LIGHT	EA	50	
22	SS-310-5.2	40141	BASE MTD TAXIWAY EDGE LIGHT	EA	251	
23	SS-310-5.3	40134	REIL SYSTEM	EA	2	
24	SS-310-5.4	40139	BASE MTD RWY THRESHOLD LIGHT	EA	16	
25	SS-310-5.5	40017	TEMPORARY AIRFIELD LIGHTING	LS	1	
26	SS-310-5.6	40152	BASE MTD SIZE 1, 1-MOD L-858L SIGN	EA	15	
27	SS-310-5.7	40153	BASE MTD SIZE 1, 2-MOD L-858L SIGN	EA	6	
28	SS-310-5.8	40154	BASE MTD SIZE 1, 3-MOD L-858L SIGN	EA	6	
29	SS-310-5.9	40155	BASE MTD SIZE 4, 1-MOD L-858L SIGN	EA	4	
30	SS-310-5.10	40156	SIZE 1, 1-MOD SIGN PANEL REPLACEMENT	EA	12	

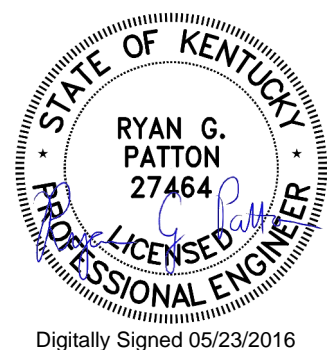
31	SS-310-5.11	40157	L-880(L) PAPI SYSTEM	EA	2	
32	SS-310-5.12	40158	L-806 SECONDARY WINDCONE LIGHTING PACKAGE	EA	1	
33	T-904-5.1	40047	SODDING	SY	2,040	
34	F-162-4.1	0010	DOUBLE VEHICULAR CHAIN LINK GATE	EA	1	
35	L-108-5.1	40054	AWG 5KV CABLE NO.8 L824C-INSTALLED	LF	55,810	
36	L-108-5.2	40055	AWG COUNTERPOISE NO.6-INSTALLED	LF	38,990	
37	L-108-5.3	40057	AWG STRD NO.6 600V-TY XHHW GROUND	LF	790	
38	L-108-5.4	40121	COUNTERPOISE TRENCH	LF	30,930	
39	L-108-5.5	40159	NO. 4/0 AWG, 600V, THHN/THWN-2 CABLE	LF	140	
40	L-109-5.1	40160	10 KW, FERRO, CC REGULATOR (L-829)	EA	1	
41	L-109-5.2	40161	7.5 KW, FERRO, CC REGULATOR (L-829)	EA	2	
42	L-109-5.3	40612	PREFAB CONC. BLDG & FND IN-PLACE	LS	1	
43	L-109-5.4	40163	PREFAB CONC. BLDG EQUIP IN-PLACE	LS	1	
44	L-110-5.1	40164	NON-ENC ELEC COND-1W-2-IN C,18-IN CVER	LF	37,600	
45	L-110-5.2	40165	NON-ENC ELEC COND-1W-2-IN C,48-IN CVER	LF	870	
46	L-110-5.3	40166	NON-ENC ELEC COND-2W-4-IN C,24-IN CVER	LF	530	
47	L-110-5.4	40167	NON-ENC ELEC COND-1W-2.5-IN C,18-IN CVER	LF	790	
48	L-115-5.1	40065	CONC ELEC HANDHOLE-H-20 RATED-INSTALLED	EA	1	
49	L-115-5.2	40063	ELEC JCT STRC CLS 1 L-867-16 X 24 IN-INS	EA	24	

BIDDING NOTES

1. THE FUNDS ALLOCATED FOR THE PERFORMANCE OF THIS PROJECT ARE LIMITED. THE OWNER RESERVES THE RIGHT TO LIMIT THE SCOPE OF WORK. THIS MAY RESULT IN THE ELIMINATION OF SOME ITEMS OF WORK OR REDUCTION IN QUANTITIES OF SOME ITEMS. ALL OF WHICH WILL BE TO STAY WITHIN THE LIMIT OF AVAILABLE FUNDS.
2. ALL BIDDERS MUST BE PREQUALIFIED WITH THE KENTUCKY TRANSPORTATION CABINET (KYTC) FOR CONSIDERATION OF AWARD.
3. BID ITEM DESCRIPTIONS SHOWN ON THIS SHEET HAVE BEEN ABBREVIATED. REFERENCE INDIVIDUAL SPECIFICATIONS FOR FULL DESCRIPTION OF ITEMS.
4. ITEM SS-310-5.10, SIZE 1, 1-MOD SIGN PANEL REPLACEMENT, SHALL BE PAID FOR AS AN ALLOWANCE FROM THE CONTRACTOR AND NOT BID ON. THE GIVEN ALLOWANCE PER SIGN PANEL WILL BE \$290.00.

RUNWAY LIGHT FIXTURE COLORS

LENS COLOR	FIXTURE	QUANTITY
WHITE/YELLOW	L-861(L)	36
WHITE/WHITE	L-861(L)	14
RED/GREEN	L-861E(L)	16



REV	DATE	DESCRIPTION	BY
1	03/30/2016	UPDATED KYTC BID ITEM CODES MODIFIED SS-300-5.3 QUANTITY.	MDB
2	05/13/2016	UPDATED ALLOWANCE FOR SS-310-5.10	RGP

CAPITAL CITY AIRPORT
FRANKFORT, KENTUCKY
AIRFIELD ELECTRICAL REHABILITATION

SUMMARY OF QUANTITIES

JOB NO.: 15151130
DATE: MARCH 2016
DESIGNED BY: RGP
DRAWN BY: MDB

DRAWING NUMBER
G1.02

PROPOSAL BID ITEMS

161030

Page 1 of 2

Report Date 5/24/16

Section: 0001 - AIR

LINE	BID CODE	ALT	DESCRIPTION	QUANTITY	UNIT	UNIT PRIC	FP	AMOUNT
0010	00071		CRUSHED AGGREGATE SIZE NO 57	20.00	TON		\$	
0020	00078		CRUSHED AGGREGATE SIZE NO 2	62.00	TON		\$	
0030	02287		DOUBLE VEHICULAR CHAIN LINK GATE	1.00	EACH		\$	
0040	02598		FABRIC-GEOTEXTILE TYPE III	225.00	SQYD		\$	
0050	02701		TEMP SILT FENCE	250.00	LF		\$	
0060	05985		SEEDING AND PROTECTION	4,820.00	SQYD		\$	
0070	40000		SITE PREPARATION	1.00	LS		\$	
0080	40003		LOCKOUT-TAGOUT AND CC REGULATOR CAL PRO	1.00	LS		\$	
0090	40004		EX STK MTD EDGE LIGHT-REMOVED	310.00	EACH		\$	
0100	40006		EX BASE MTD SIGN-REMOVED	35.00	EACH		\$	
0110	40007		EX REIL SYS L-849-REMOVED	2.00	EACH		\$	
0120	40017		TEMPORARY AIRFIELD LIGHTING	1.00	LS		\$	
0130	40031		SILT TRAP TYPE C	7.00	EACH		\$	
0140	40032		EROSION CONTROL BLANKET	4,820.00	SQYD		\$	
0150	40047		SODDING	2,040.00	SQYD		\$	
0160	40054		AWG 5KV CABLE NO.8 L824C-INSTALLED	55,810.00	LF		\$	
0170	40055		AWG COUNTERPOISE NO.6-INSTALLED	38,990.00	LF		\$	
0180	40057		AWG STRD NO.6 600V-TY XHHW GROUND	790.00	LF		\$	
0190	40063		ELEC JCT STRC CLS 1 L-867-16 X 24 IN-INS	24.00	EACH		\$	
0200	40065		CONC ELEC HANDHOLE-H-20 RATED- INSTALLED	1.00	EACH		\$	
0210	40121		COUNTERPOISE TRENCH	30,930.00	LF		\$	
0220	40134		REIL SYSTEM	2.00	EACH		\$	
0230	40137		BASE MOUNTED RUNWAY EDGE LIGHT	50.00	EACH		\$	
0240	40139		BASE MTD RWY THRESHOLD LIGHT	16.00	EACH		\$	
0250	40141		BASE MTD TAXIWAY EDGE LIGHT	251.00	EACH		\$	
0260	40145		RUNWAY CLOSURE MARKER	2.00	EACH		\$	
0270	40146		LOW PROFILE BARRICADE	74.00	EACH		\$	
0280	40147		80KW GEN/AUTO TRANSF SWTCH SYS	1.00	L S		\$	
0290	40148		1-PH PORT GEN PANL/AUTO TRANSF SWTCH SYS LOCATION 1	1.00	L S		\$	
0300	40149		3-PH PORT GEN PANL/AUTO TRANSF SWTCH SYS	1.00	L S		\$	
0310	40150		EX L-880 PAPI SYS-REMOVED	2.00	EACH		\$	
0320	40151		DIRECTIONAL BORE (1-W/4"C) PE CONDUIT	600.00	LF		\$	
0330	40152		BASE MTD SIZE 1, 1-MOD L-858L SIGN	15.00	EACH		\$	
0340	40153		BASE MTD SIZE 1, 2-MOD L-858L SIGN	6.00	EACH		\$	
0350	40154		BASE MTD SIZE 1, 3-MOD L-858L SIGN	6.00	EACH		\$	
0360	40155		BASE MTD SIZE 4, 1-MOD L-858L SIGN	4.00	EACH		\$	
0370	40156		SIZE 1, 1-MOD SIGN PANEL REPLACEMENT (REVISED: 5-24-16)	12.00	EACH	\$290.00	\$	\$3,480.00
0380	40157		L-880(L) PAPI SYSTEM	2.00	EACH		\$	
0381	40158		L-806 SECONDARY WINDCONE LIGHTING PACKAGE (ADDED: 5-16-16)	1.00	EACH		\$	
0390	40159		NO. 4/0 AWG, 600V, THHN/THWN-2 CABLE	140.00	LF		\$	
0400	40160		10 KW, FERRO, CC REGULATOR (L-829)	1.00	EACH		\$	
0410	40161		7.5 KW, FERRO, CC REGULATOR (L-829)	2.00	EACH		\$	

PROPOSAL BID ITEMS

161030

Page 2 of 2

Report Date 5/24/16

LINE	BID CODE	ALT	DESCRIPTION	QUANTITY	UNIT	UNIT PRIC	FP	AMOUNT
0420	40162		PREFAB CONC. BLDG & FND IN-PLACE	1.00	L S		\$	
0430	40163		PREFAB CONC. BLDG EQUIP IN-PLACE	1.00	L S		\$	
0440	40164		NON-ENC ELEC COND-1W-2-IN C, 18-IN CVER	37,600.00	LF		\$	
0450	40165		NON-ENC ELEC COND-1W-2-IN C, 48-IN CVER	870.00	LF		\$	
0460	40166		NON-ENC ELEC COND-2W-4-IN C, 24-IN CVER	530.00	LF		\$	
0470	40167		NON-ENC ELEC COND-1W-2.5IN C, 18-IN CVER	790.00	LF		\$	

Section: 0002 - DEMOBILIZATION &/OR MOBILZATION

LINE	BID CODE	ALT	DESCRIPTION	QUANTITY	UNIT	UNIT PRIC	FP	AMOUNT
0480	02569		DEMOBILIZATION	1.00	LS		\$	